

Coalesse

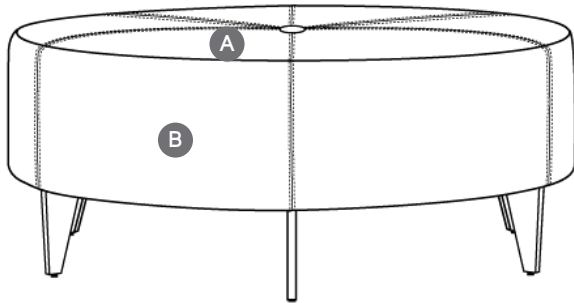
451-B42RD Circa Ottoman Contrasting Sketches

TO: _____

FROM: _____

DATE: _____

FAX....888.413.5161



A Seat (upholstery selections default for entire unit if B is not selected): _____

B Base Frame: _____

\$105 list per contrasting fabric specified.
List price based on highest grade textile specified.

Circa Contrasting Sketches

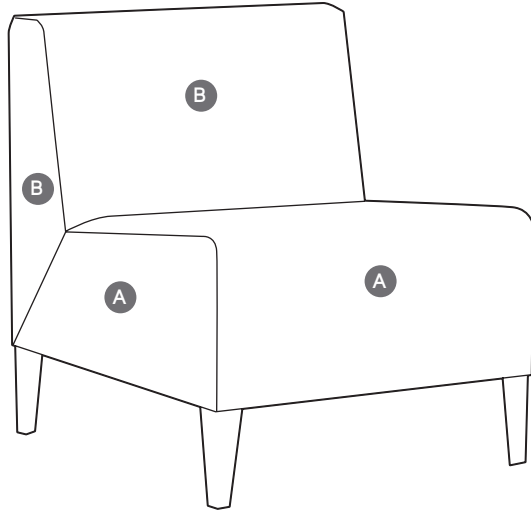
Applies to all Circa models including: Straight Seat, Wedge, and Straight Loveseat

TO: _____

FROM: _____

DATE: _____

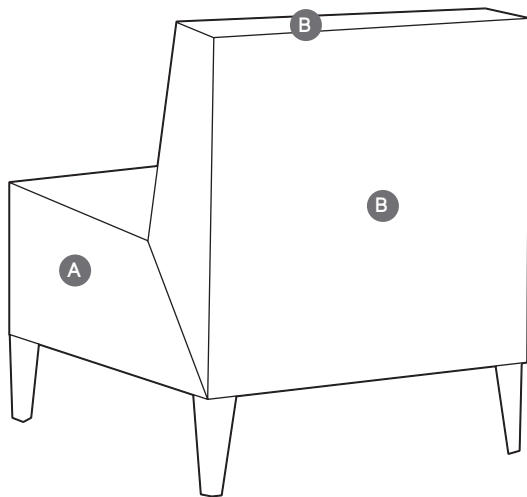
FAX...888.413.5161



A Upholstery Selection (default for entire unit if B is not selected):

B Back: _____

***\$105 list per contrasting fabric specified. List price based on highest fabric grade usage.**



Specify model below:

- 451-7460FO Outside Facing
- 451-7460FI Inside Facing
- 451-5000
- 451-2500
- 451-3730FO Outside Facing
- 451-3730FI Inside Facing